



a Geberit company

2100 South Clearwater Drive
Des Plaines, IL 60018
Phone: 847-803-5000
Fax: 847-803-5454
www.chicagofaucets.com

FOR TECHNICAL ASSISTANCE
1-800-TEC-TRUE (1-800-832-8783)

ROUGH-IN

BY: SID DATE: 06-20-13
CHK: *[Signature]* REV:

FITTING NO.

E39VPJKABCP

SUBMITTED MODEL NO.

SUBMITTED AS SHOWN

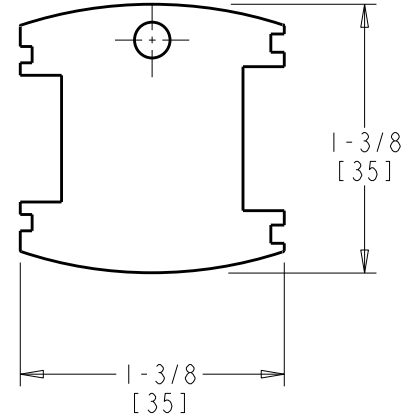
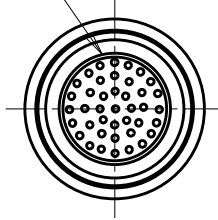
SUBMITTED AS NOTED

SEE ATTACHED FOR
SUBMITTED MODIFICATION

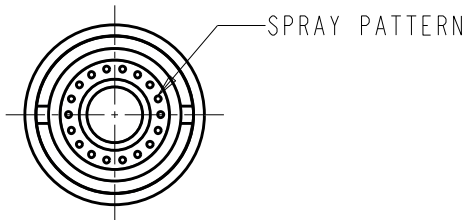
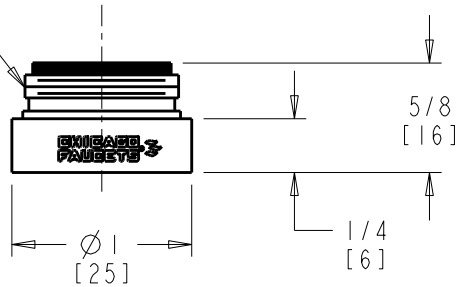
JOB NAME

ITEM NO.

INSERT: 0.35 GPM LAMINAR
DOME COLOR: WHITE WITH
BROWN RING



13/16-27 MALE THREAD
FOR WIDESPREAD AND
CENTERSET FAUCETS



SPRAY PATTERN

DIMENSIONS ARE IN INCHES AND [MILLIMETERS].

TECHNICAL DATA

- VANDAL PROOF NON-AERATING OUTLET PRESSURE COMPENSATING ECONO-FLOW
- 0.35 GPM [1.3 L/min.] MAXIMUM FLOW RATE
- VANDAL PROOF OUTLET KEY INCLUDED
- FINISH: CHROME PLATE

- ASME A112.18.1/CSA B125.1 COMPLIANT

ROUGHING IN DIMENSIONS MAY VARY AND ARE SUBJECT TO CHANGE. NO RESPONSIBILITY IS ASSUMED FOR USE OF SUPERCEDED OR VOIDED DATA.