

ROUGHING IN DIMENSIONS MAY VARY AND ARE SUBJECT TO CHANGE. NO RESPONSIBILITY IS ASSUMED FOR USE OF SUPERCEDED OR VOIDED DATA.



2100 South Clearwater Drive  
Des Plaines, IL 60018  
Phone: 847-803-5000  
Fax: 847-803-5454  
www.chicagofaucets.com

# ROUGH-IN

FITTING NO.

E37VPJKABCP

BY: SID

DATE: 08-15-17

SUBMITTED MODEL NO.

CHK: *S/D*

REV:

**FOR TECHNICAL ASSISTANCE**  
1-800-TEC-TRUE (1-800-832-8783)

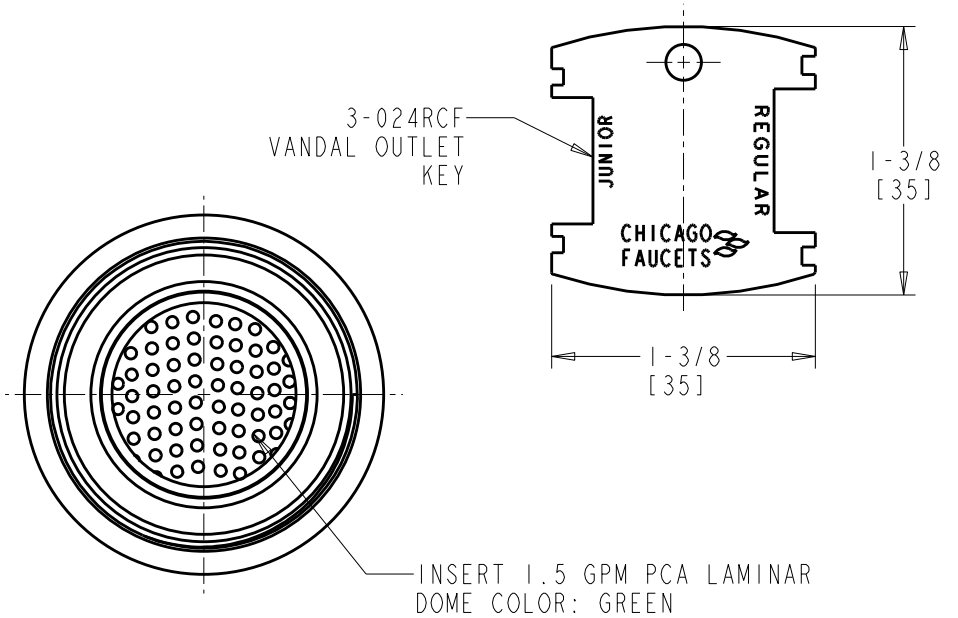
SUBMITTED AS SHOWN

SUBMITTED AS NOTED

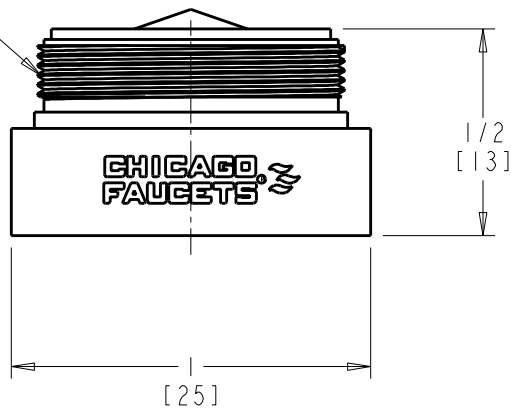
SEE ATTACHED FOR  
SUBMITTED MODIFICATION

JOB NAME

ITEM NO.



13/16-27 MALE THREAD  
FOR WIDESPREAD AND  
CENTERSET LAVATORY  
FAUCETS



DIMENSIONS ARE IN INCHES AND [MILLIMETERS].

TECHNICAL DATA

- SEE SPECIFICATION SHEET