

ROUGHING IN DIMENSIONS MAY VARY AND ARE SUBJECT TO CHANGE. NO RESPONSIBILITY IS ASSUMED FOR USE OF SUPERCEDED OR VOIDED DATA. (0192-1)

CHICAGO[®] FAUCETS

2100 SOUTH CLEARWATER DRIVE
DES PLAINES, ILLINOIS 60018-5999

FITTING NO.

51-L8

SUBMITTED MODEL NO.

JOB NAME

ITEM NO.

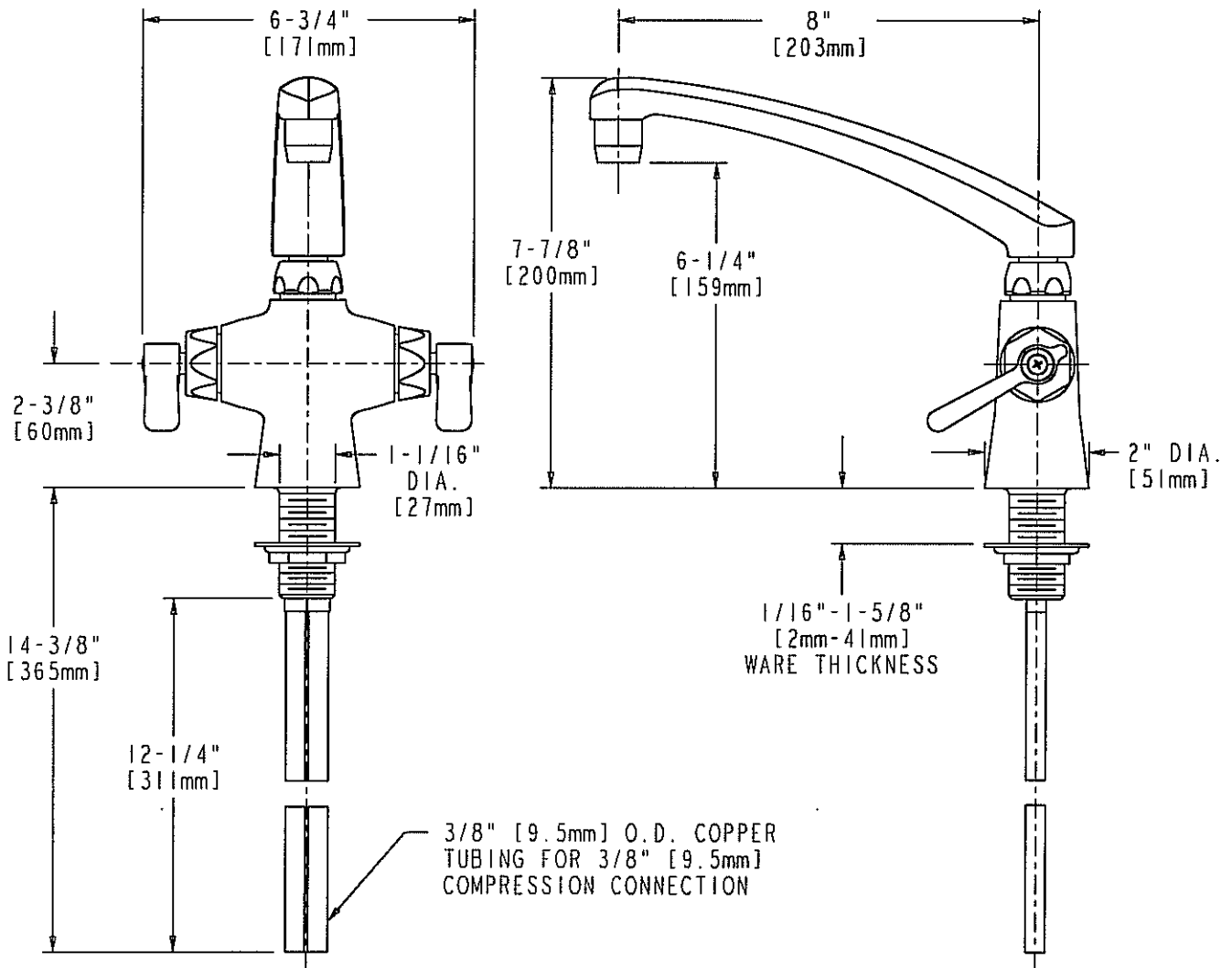
SUBMITTED AS SHOWN

SUBMITTED AS NOTED

SEE ATTACHED FOR
SUBMITTED MODIFICATION



ADA COMPLIANT



DIMENSIONS IN INCHES AND [MILLIMETERS].

TECHNICAL DATA

- COMBINATION SINK FAUCET
- L8 SWING SPOUT
- 369 INDEXED LEVER HANDLES
- QUATURN UNITS
- 3/8" [9.5mm] O.D. COPPER SUPPLY TUBES
- POLISHED CHROME FINISH OR AS SPECIFIED
- E3 SOFTFLO OUTLET
- 2.0 GPM [7.6 L/min.] @ 80 PSI
- ANSI A112.18.1 COMPLIANT
- CSA B125 COMPLIANT

DATE: 03-30-00

BY: AJZ

CHK'D: *[Signature]*

APP'D: *[Signature]*

REV:

51-L8