

CHICAGO FAUCETS[®]

a Geberit company

2100 South Clearwater Drive
Des Plaines, IL 60018
Phone: 847-803-5000
Fax: 847-803-5454
www.chicagofaucets.com

FOR TECHNICAL ASSISTANCE
1-800-TEC-TRUE (1-800-832-8783)

ROUGH-IN

BY: SID DATE: 06-21-13
CHK: *[Signature]* REV:

FITTING NO.

335-XJKABNF

SUBMITTED MODEL NO.

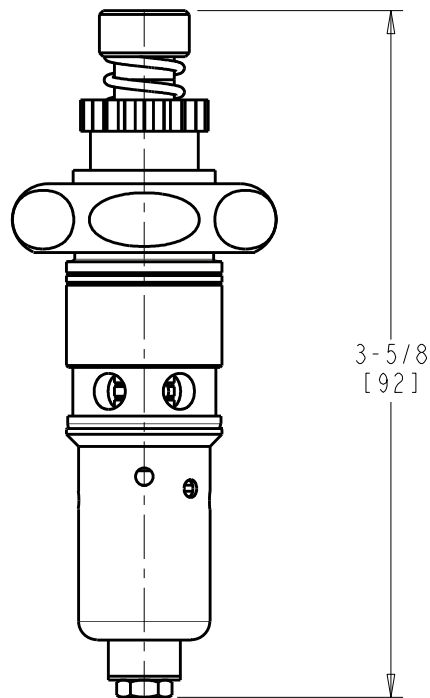
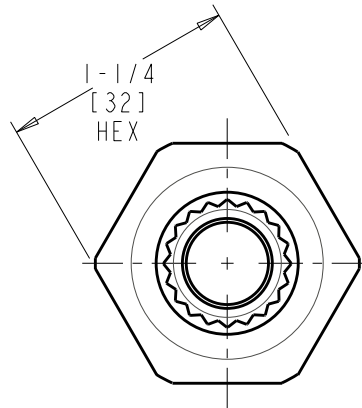
SUBMITTED AS SHOWN

SUBMITTED AS NOTED

SEE ATTACHED FOR
SUBMITTED MODIFICATION

JOB NAME

ITEM NO.



DIMENSIONS ARE IN INCHES AND [MILLIMETERS].

TECHNICAL DATA

- NAIAD METERING ADJUSTABLE CYCLE TIME CLOSURE CARTRIDGE
- PUSH ON
- AUTO-TIMED SHUT OFF
- SHORT STEM FOR EXPOSED CAPS
- LEFT OR RIGHT HAND
- TIP-TAP HANDLES (NOT INCLUDED)

ROUGHING IN DIMENSIONS MAY VARY AND ARE SUBJECT TO CHANGE. NO RESPONSIBILITY IS ASSUMED FOR USE OF SUPERCEDED OR VOIDED DATA.